

DESCRIPTION

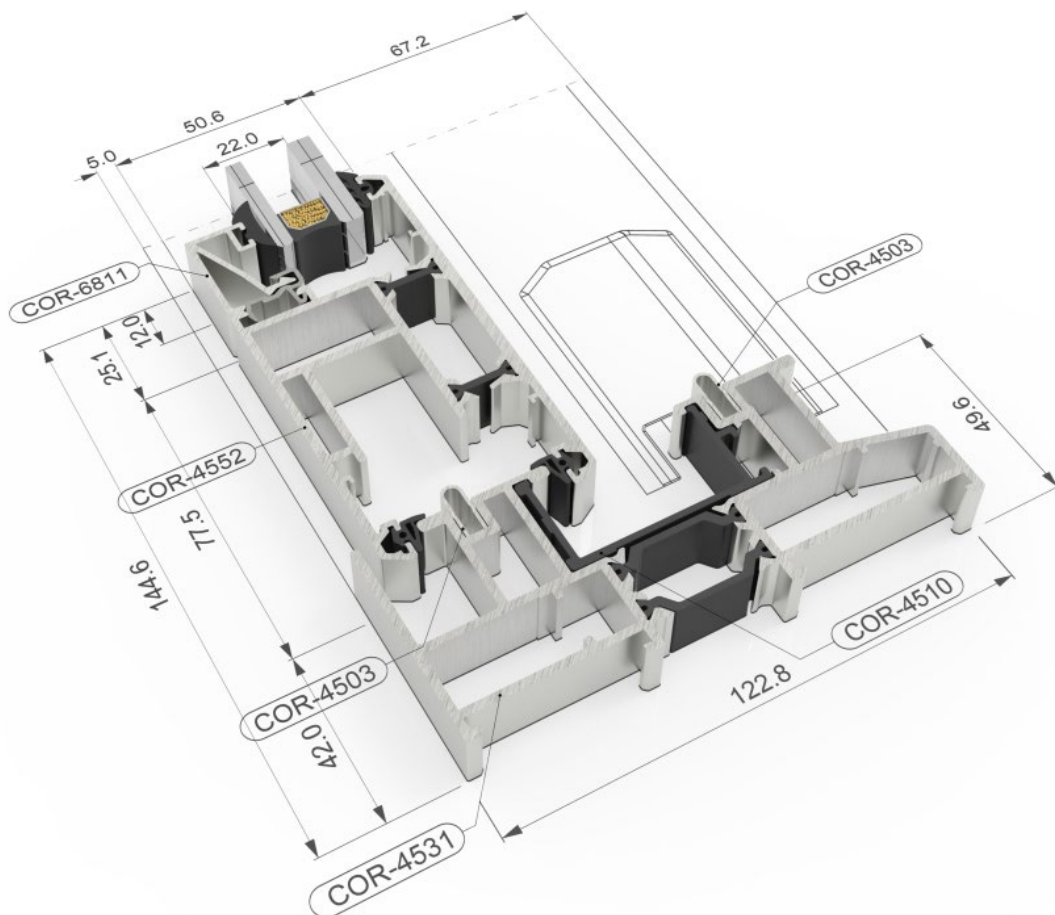
- » Lift & slide systems for large dimensions
- » There are two versions:
 - 4500 lift and slide
 - 4500 standard slide system
- » Possibility of 90° or 45° frame encounters
- » The sashes slide along a stainless steel rail in order to avoid wear and tear.



TECHNICAL DATA

- » Maximum glazing thickness
38 mm
- » Opening possibilities
Sliding of 2, 3, 4 & 6 sashes
Possibility of 1 rail (1 sash + 1 fixed light)
& 3 rails
Pocket system 1 & 2 sashes
Possibility of corner sash encounters at 90° without mullions
- » Sections
Frame 100/123/127 mm - 3 rails 185 mm
Sash 51 mm
- » Profile thickness
Door 2,0 mm
- » Polyamide strip length
Lift & Slide 24 mm & 14,6 mm
Standard slide 30 mm & 14,6 mm
- » Maximum dimensions/sash
Width (L) = 3.300 mm
Height (H) = 2.900 mm
Lift & slide
Width (L) = 2.500 mm
Height (H) = 2.600 mm
Standard slide
- » Maximum weight/sash
Lift & slide 400 Kg
Standard slide 280 Kg





TEST CENTRE

» Transmittance

Uw from 1,5 (W/m²K)

Please consult typology, dimensions and glazing

» Maximum acoustic insulation

Rw=42 dB

» Air permeability

(EN 12207:2000) CLASS 4

» Water tightness

(EN 12208:2000) CLASS 8A

» Wind resistance

(EN 12210:2000) CLASS C4

Reference test: 1,85 x 2,05 m.

1 sash + 1 fixed

Please consult regarding maximum weight and dimensions for other opening types

» Finishes

Possibility of bicolor systems

Color powder coating (RAL, mottled and rough)

Wood effect powder coating

Anti-bacterial powder coating

Anodized

